

Exterior LED Lamp Wall Sconce

EW3612
INSTALLATION SHEET

START FROM HERE

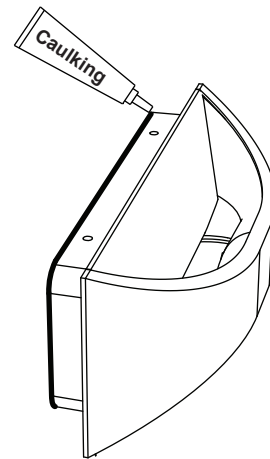
- Make sure **POWER** is **COMPLETELY OFF** at the fuse box
- Have your fixture installed by a qualified licensed electrician
- Prepare everything in a clear area
- Wear gloves at all time during this installation
- Read instructions carefully before you start assembly
- Keep this installation sheet for future reference

Please Note:

- All Kuzco LED fixtures come with pre-wired LED module(s).
- Unless instructed to do so, please do not touch any part of the LED module(s) as any unnecessary contact with the module could cause permanent damage.
- For dimming, an ELV (Electronic Low Voltage) type of dimmer is required.

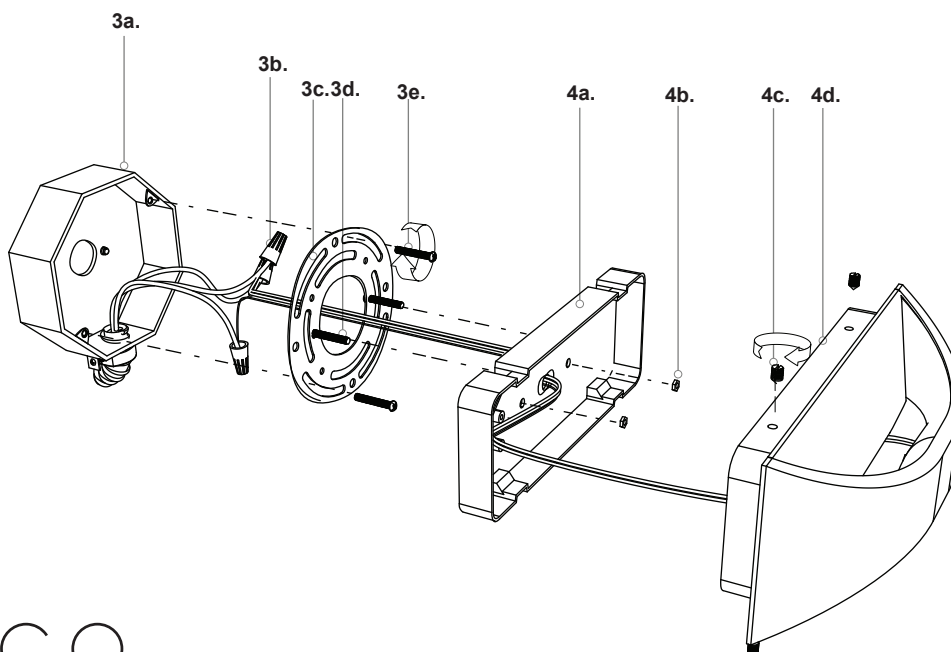
Technical Support: 1-855-855-8926

- 1.** Remove the fixture from its original packaging. Remove the mounting plate **(3c)** from within the canopy **(4a)** by removing the four set screws **(4c)** and two nuts **(4b)** attach the mounting plate to the electrical junction box **(3a)**, using the two screws **(3e)** provided in the hardware package.
- 2.** Thread the lead wires from the fixture through the canopy **(4a)** and through the spider plate **(3c)**. Connect all wires correctly G ground to ground, N neutral wire (white to white), L live wire (black to black) with provided marettes **(3b)** from the hardware package. Next, push the canopy **(4a)** towards the mounting plate **(3c)** so the two screws clear through the holes in the canopy **(4a)**. Secure the canopy **(4a)** by using the two nuts **(4b)**. With the canopy seated on the mounting plate, secure the fixture **(4d)** with all four set screws **(4c)** turning clockwise.
- 3.** You have now completed the installation of your fixture, enjoy.



IMPORTANT: To prevent moisture from entering the outlet box and causing a short, seal around the top and side perimeter between the fixture and the wall surface with weather resistant caulk. The space at bottom should be left un-caulked to prevent moisture build-up.

illustration 1



KUZCO

19054 28th Avenue Surrey, BC Canada V3Z 6M3
T: 604 538 7162 TF: 1-855 85 KUZCO F: 604 538 7196
W: kuzcolighting.com
20190814